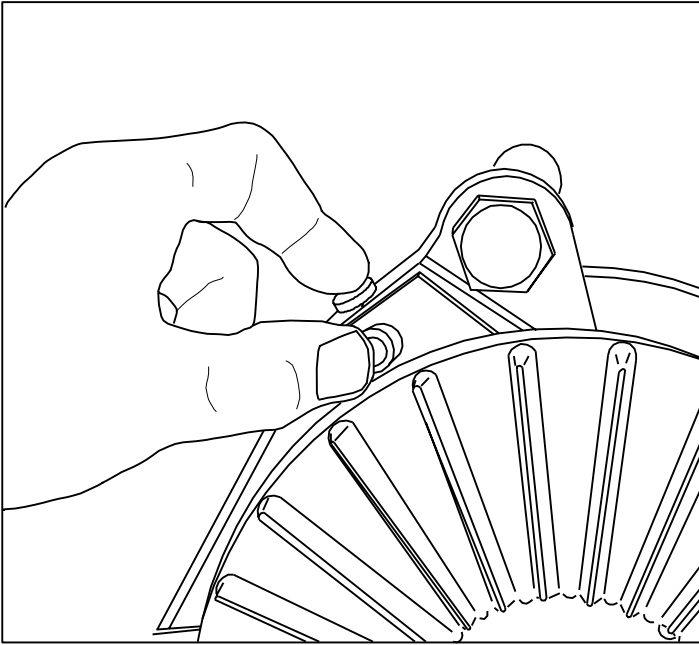
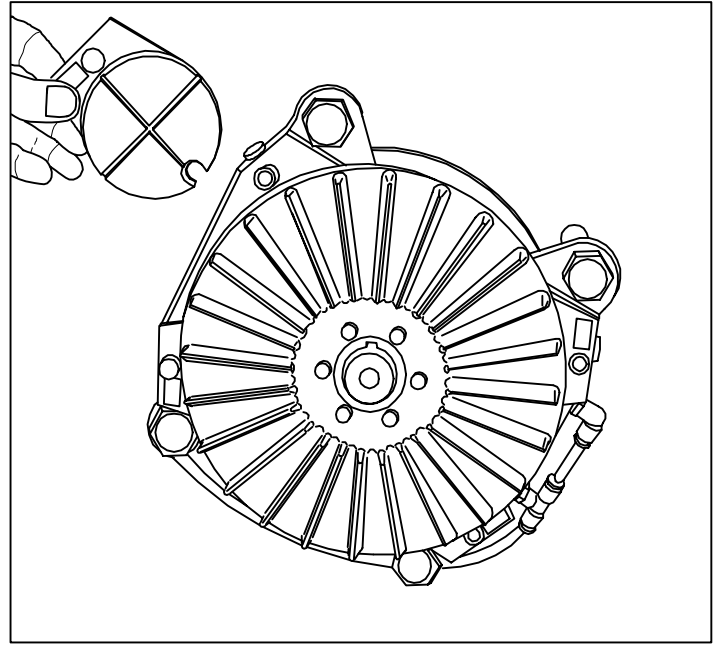


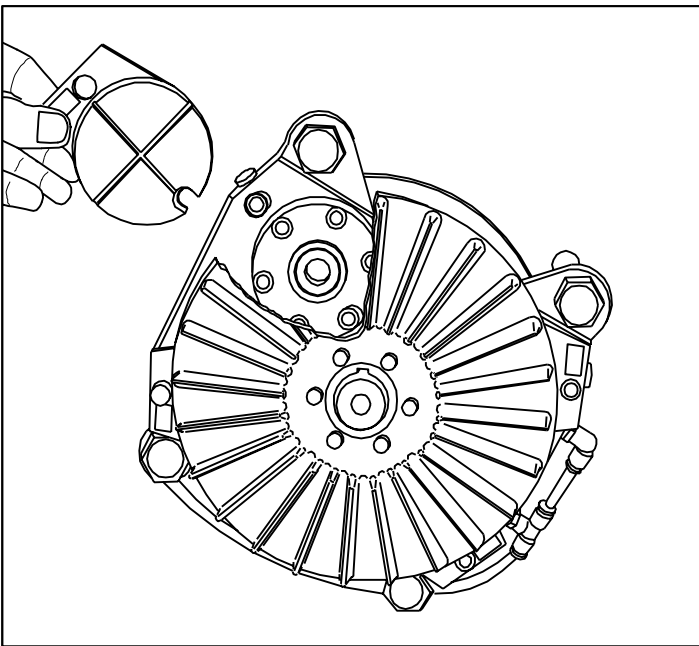
REPLACE A WORN BRAKE PAD IN UNDER 30 SECONDS



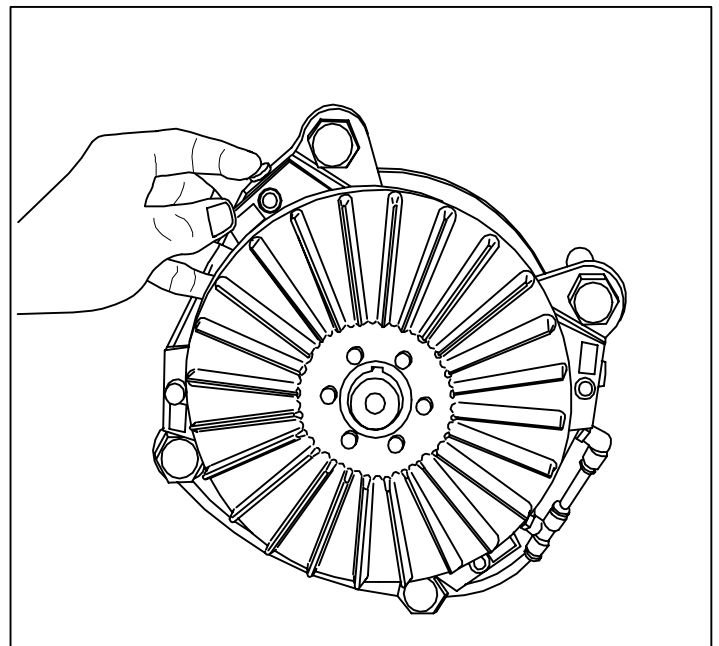
1. Press the release button, then the torque post over the friction pad you wish to change.



2. Slide the friction pad out.



3. Slide the new friction pad in.



4. Press down release button to lock friction pad in place.